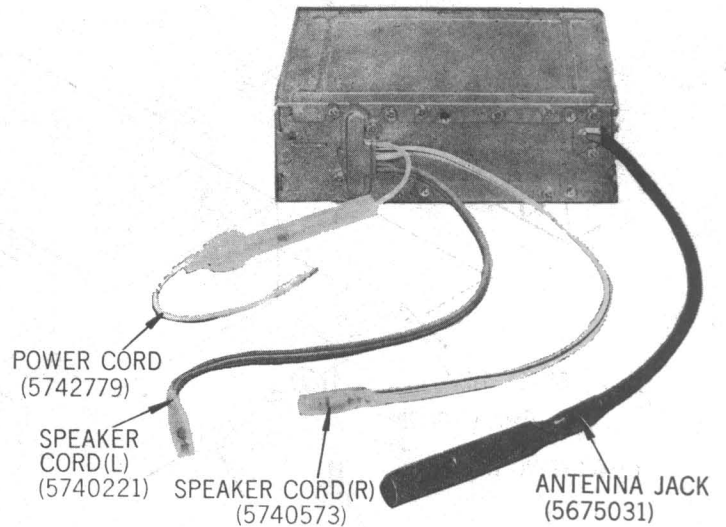
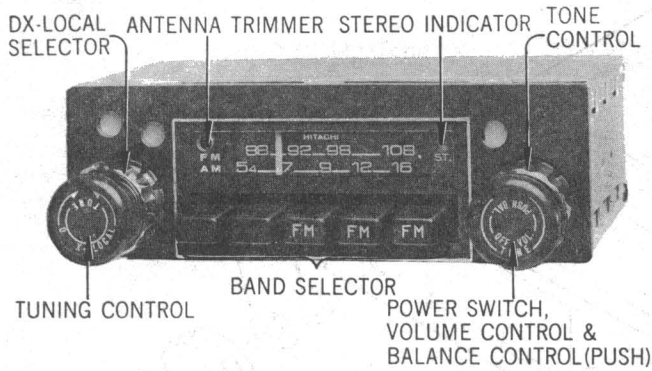


SERVICE MANUAL

No. 7 8 1



SPECIFICATIONS

CIRCUIT SYSTEM	FM/AM superheterodyne
TUNING RANGE	FM: 88~108MHz AM: 530~1605kHz
INTERMEDIATE FREQUENCY	FM: 10.7MHz AM: 455kHz
SENSITIVITY	FM: 2 dB (max) 8.5 dB (practical) AM: 18 dB (max.) 24 dB (practical)
IC.....	5
TRANSISTOR.....	6
DIODE	10
POWER SUPPLY.....	DC 12V negative ground
SPEAKER IMPEDANCE	4Ω
MAXIMUM OUTPUT	8W
DIMENSIONS	5.0cm(H)×16.0cm(W)×11.0cm(D)
WEIGHT	1.1kg

CAR RADIO WITH STEREO

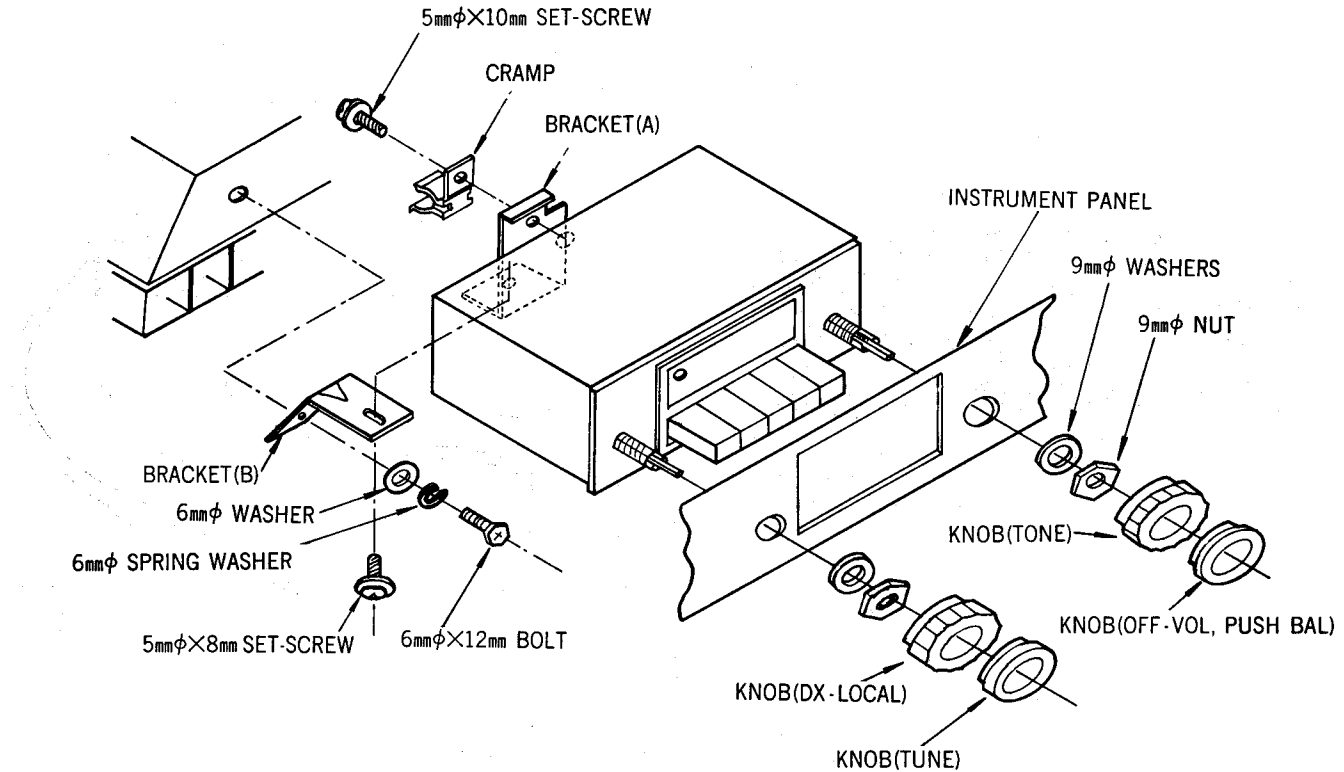
July 1975

INSTALLATION

—RADIO—

1. Remove the masking plate from the radio installing hole on the instrument panel.
2. Install the cramp and the bracket (A) in the rear side of the radio with $5\text{mm}\phi \times 10\text{mm}$ set-screw.
3. Install the radio in the instrument panel from the under side of radio with two $9\text{mm}\phi$ washers, two $9\text{mm}\phi$ nuts

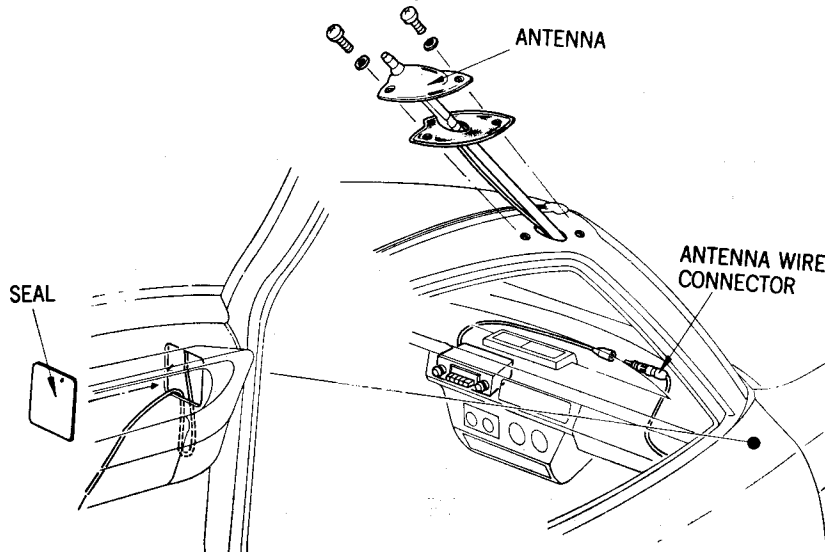
- and 4 knobs.
4. Install the bracket (B) in the bracket (A) with $5\text{mm}\phi \times 8\text{mm}$ set-screw, and install it to the car board with $6\text{mm}\phi \times 12\text{mm}$ bolt.
 5. Connect the radio power cord to the power connector provided in the instrument wire harness.



—ANTENNA—

1. Remove the seal cap and washer from the antenna installing hole on the roof of the car.
2. Peel off the seal from the inside of the right front fender just at the rear of the dashboard.
3. Route the antenna cable through the antenna installing

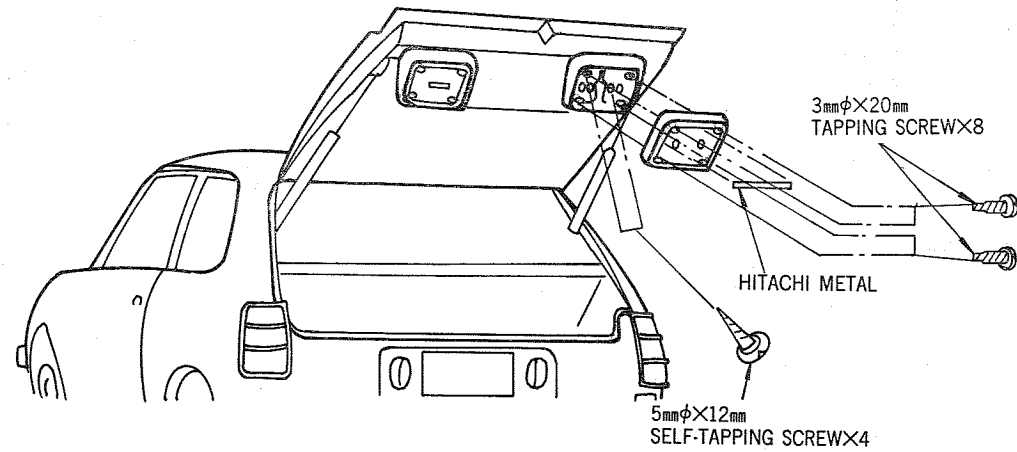
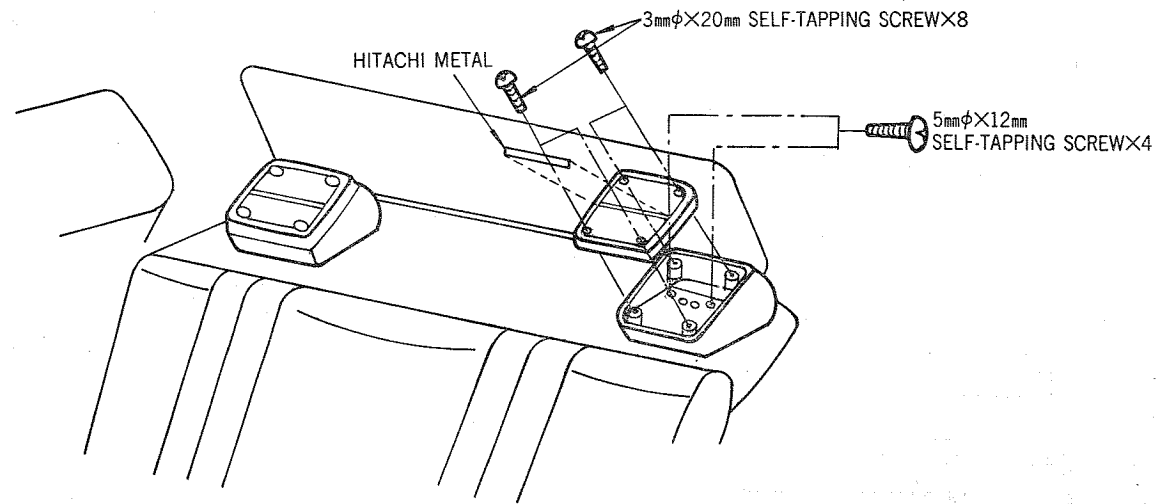
- hole and hole in the passenger compartment.
4. Install the antenna with two $4\text{mm}\phi \times 12\text{mm}$ pan-head screw and two $4\text{mm}\phi$ washers.
 5. Connect the antenna cable to the antenna cable of the radio.



KMS-2343HC

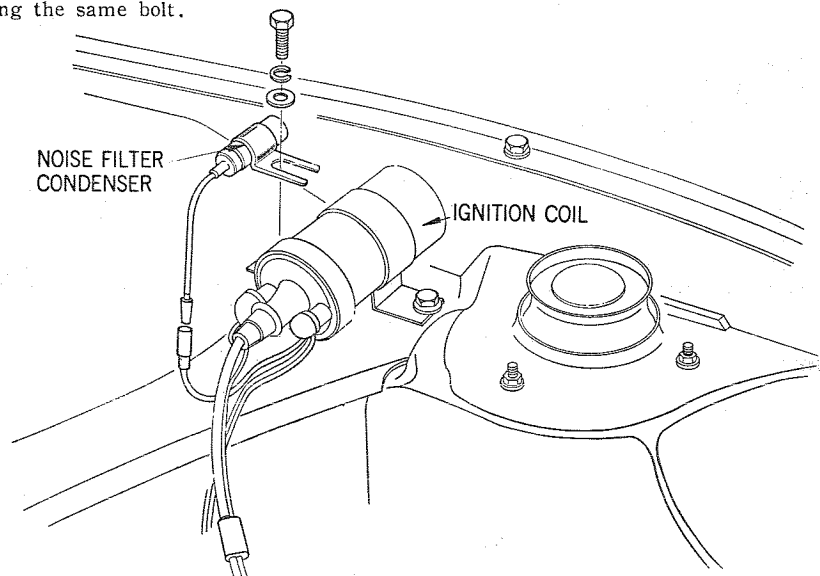
—SPEAKER—

1. Make four holes on the rear parcel shelf (rear door) with the installation paper.
2. Install the speaker box with four 5mm ϕ \times 12mm selftapping screws.
3. Install the grille to the speaker box with two 3mm ϕ \times 20mm self-tapping screws.
4. Fix the HITACHI metal to the grille.



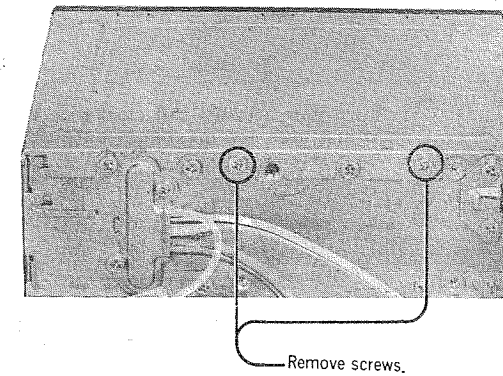
—NOISE ELIMINATOR—

Connect the 0.47 MFD noise eliminator to the wire harness (\oplus terminal) of the ignition coil and install the eliminator together with ignition coil using the same bolt.

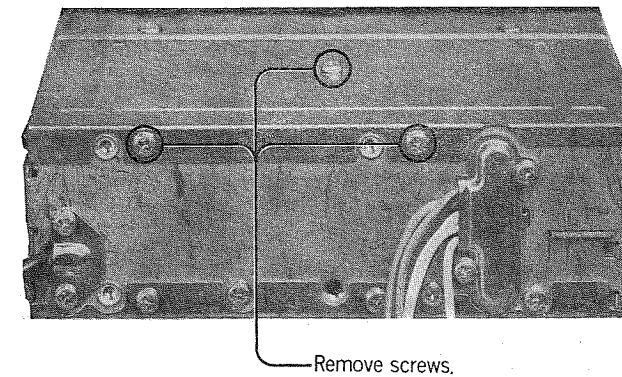


DISASSEMBLY

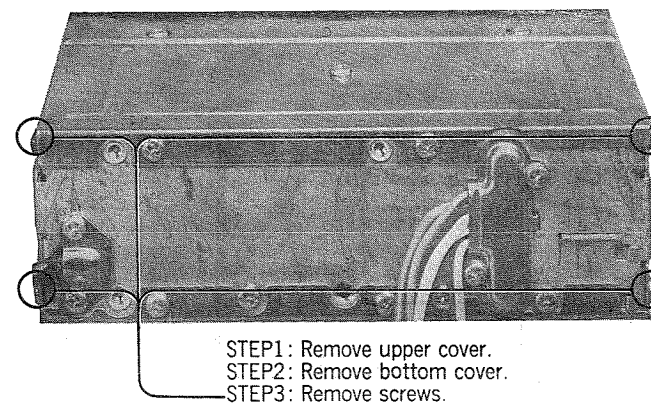
1. Removal of upper cover



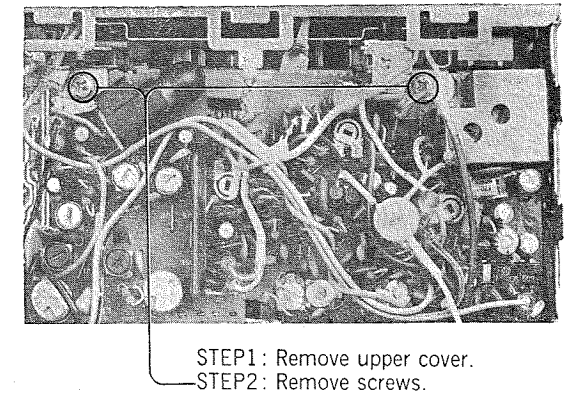
2. Removal of bottom cover



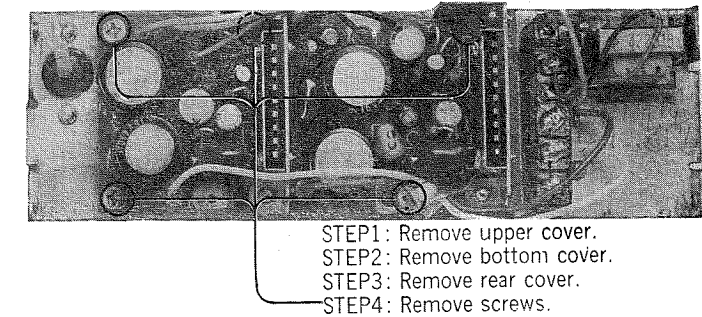
3. Removal of rear cover



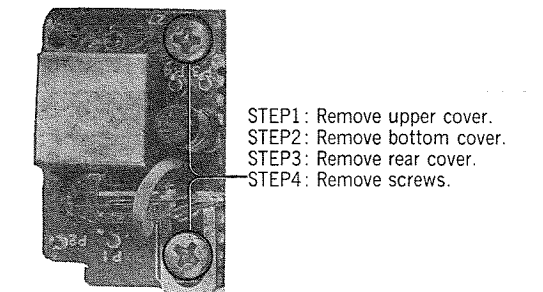
4. Removal of RADIO circuit board



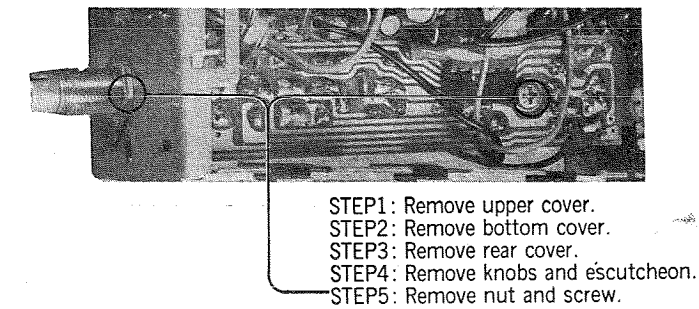
5. Removal of AUDIO circuit board



6. Removal of ANTENNA circuit board

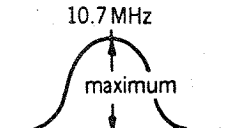
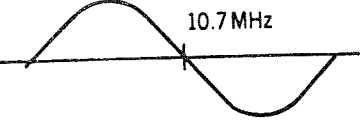


7. Removal of VOLUME circuit board



ADJUSTMENT

—ADJUSTMENT METHOD—

Step	Adjustment circuit	Connection	Signal or sweep generator	Pointer position	Adjustment part. (See Fig. 4)	How to adjust.
FM CIRCUIT						
①	FM-IF	Fig. 1	10.7MHz	High freq. end	T101, T201, T202	① Turn core (T202) full clockwise. ② Adjust core for maximum output.  ③ Adjust core (T202) for symmetrical sinewave. 
②	FM-RF	Covering Tracking	87.25MHz 98MHz	Low freq. end 98MHz	CT103 CT101, CT102	① Adjust core for maximum output.
AM CIRCUIT						
①	AM-IF	Fig. 3	455kHz	High freq. end	T251, T252, T253	① Turn core (L154) full counterclockwise. ② Adjust core for maximum output.
②	AM-RF	Covering Tracking	523kHz 1650kHz 1000kHz	Low freq. end High freq. end 1000kHz	L155 CT153 CT151, CT152	① Adjust core for maximum output.

—CONNECTION—

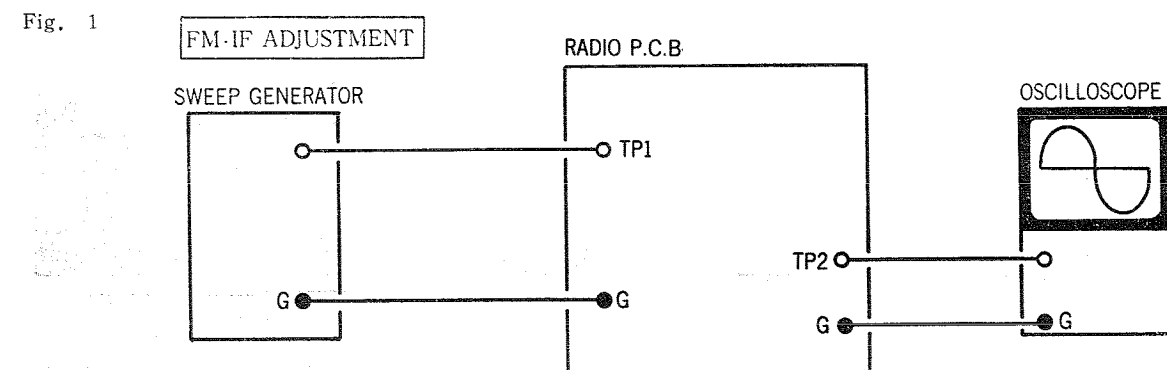


Fig. 2

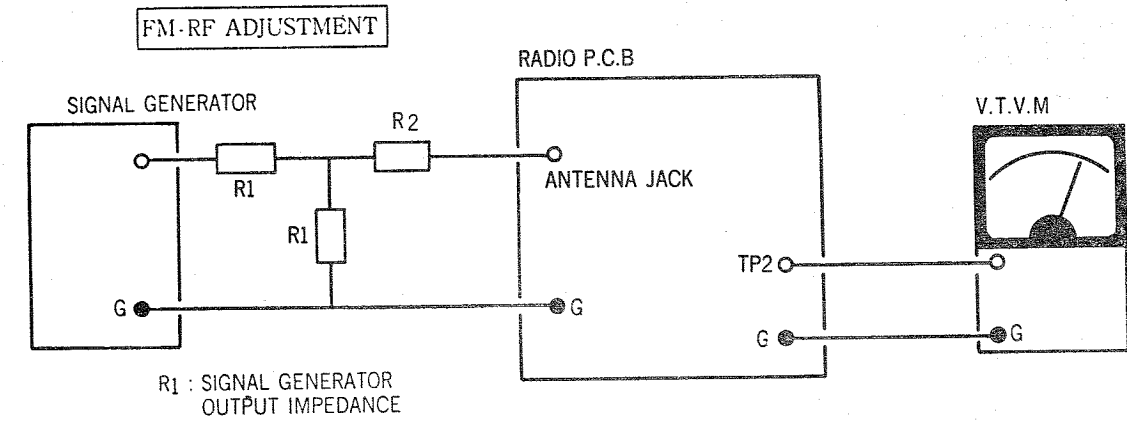
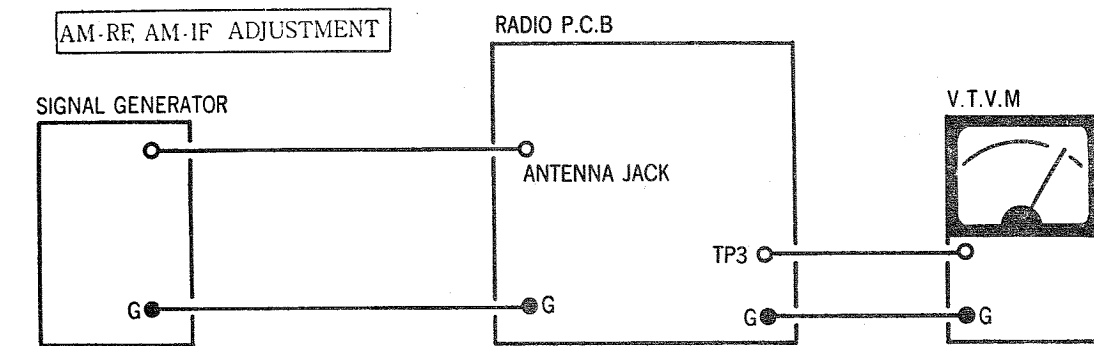


Fig. 3



—INTERNAL VIEW—

Fig. 4

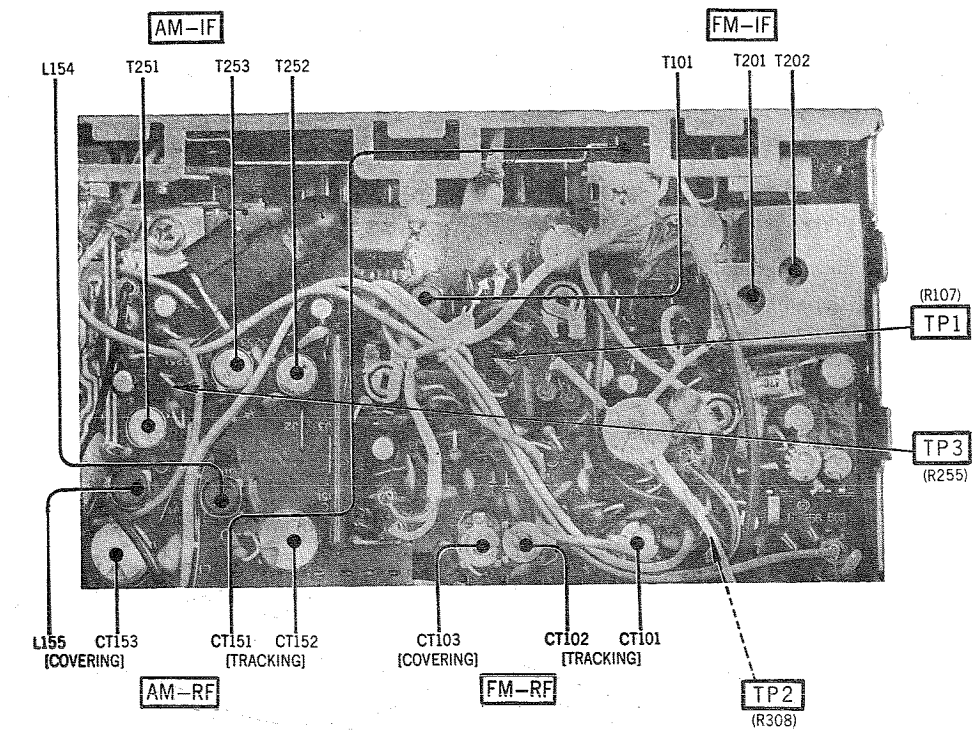
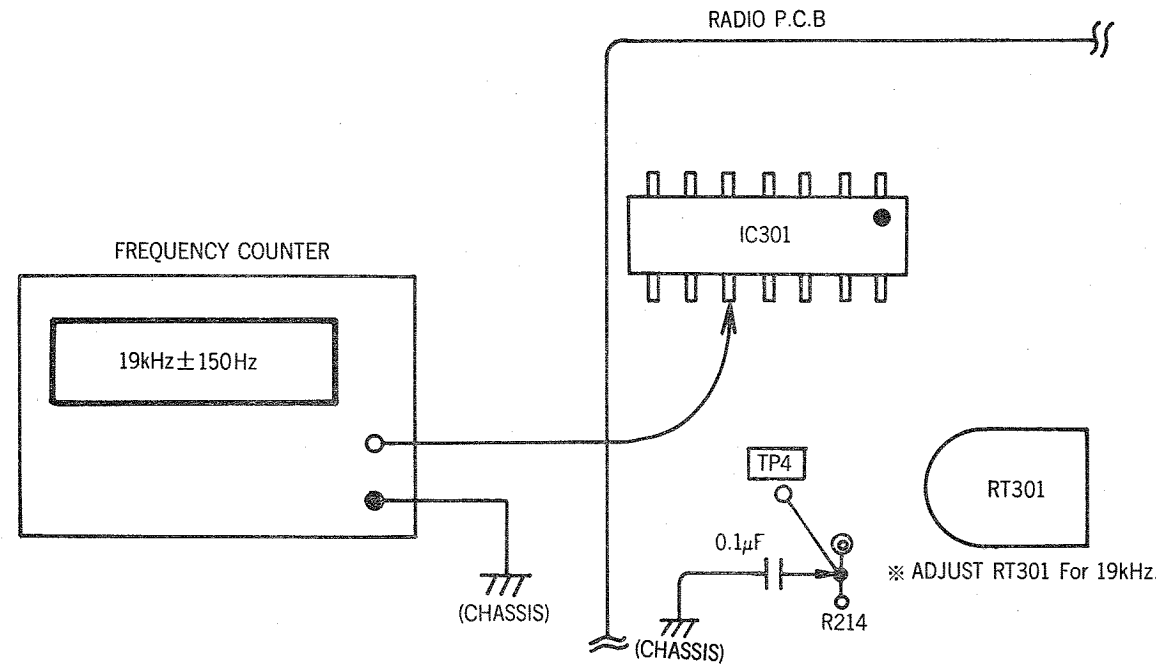


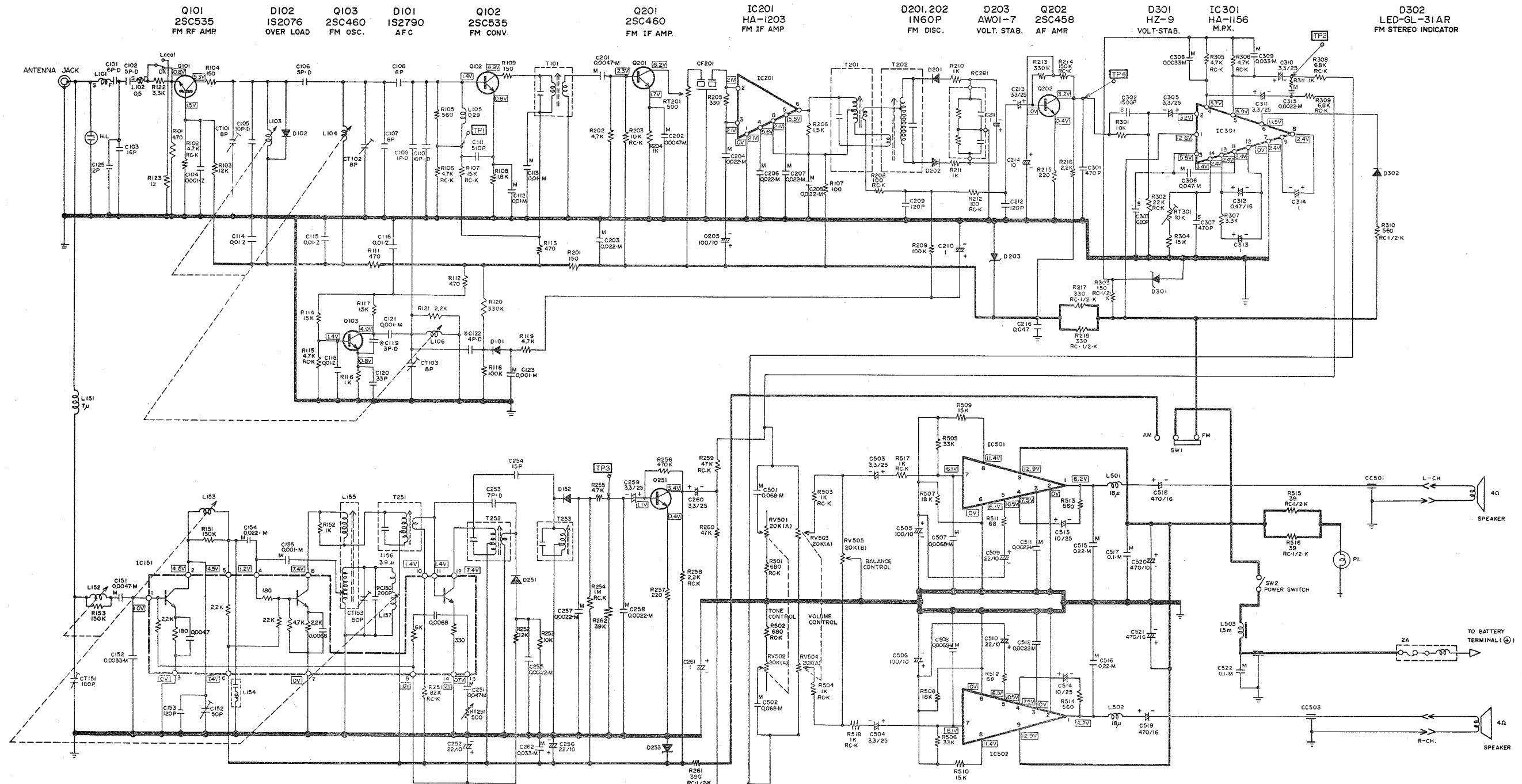
Fig. 5



REPLACEMENT PARTS OF P. C. B

Symbol No.	Stock No.	Description	Symbol No.	Stock No.	Description
CAPACITORS:					
C101	0248646	Ceramic, discal	C305	0252613	Electrolytic
C102	0248645	Ceramic, discal	C306	0275115	Mylar
C103	0248704	Ceramic, discal	C307	0221369	Polystyrol
C104	0244161	Ceramic, discal	C308	0275114	Mylar
C105	0248650	Ceramic, discal	C309	0275114	Mylar
C106	0248645	Ceramic, discal	C310	0252613	Electrolytic
C107	0248648	Ceramic, discal	C311	0252613	Electrolytic
C108	0248648	Ceramic, discal	C312	0257040	Electrolytic
C109	0248641	Ceramic, discal	C313	0252811	Electrolytic
C110	0248650	Ceramic, discal	C314	0252811	Electrolytic
C111	0249515	Ceramic, discal	C315	0274113	Mylar
C112	0275111	Mylar	C501	0275116	Mylar
C113	0275111	Mylar	C502	0275116	Mylar
C114	0244171	Ceramic, discal	C503	0252613	Electrolytic
C115	0244171	Ceramic, discal	C504	0252613	Electrolytic
C116	0244171	Ceramic, discal	C505	0252331	Electrolytic
C118	0244171	Ceramic, discal	C506	0252331	Electrolytic
C119	0249526	Ceramic, discal	C507	0274116	Mylar
C120	0248712	Ceramic, discal	C508	0274116	Mylar
C121	0244171	Ceramic, discal	C509	0252322	Electrolytic
C122	0241868	Ceramic, discal	C510	0252322	Electrolytic
C123	0274111	Mylar	C511	0274113	Mylar
C125	0248642	Ceramic, discal	C512	0274113	Mylar
C151	0274115	Mylar	C513	0252621	Electrolytic
C152	0274114	Mylar	C514	0252621	Electrolytic
C153	0248726	Ceramic, discal	C515	0276113	Mylar
C154	0275113	Mylar	C516	0276113	Mylar
C155	0274111	Mylar	C517	0276111	Mylar
C156	0249529	Ceramic, discal	C518	0256083	Electrolytic
C201	0274115	Mylar	C519	0256083	Electrolytic
C202	0274115	Mylar	C520	0256083	Electrolytic
C203	0275113	Mylar	C521	0256083	Electrolytic
C204	0275113	Mylar	C522	0276111	Mylar
C205	0252331	Electrolytic	C T 101	0283113	Variable capacitor
C206	0275113	Mylar	C T 102	0283113	Variable capacitor
C207	0275113	Mylar	C T 103	0283113	Variable capacitor
C208	0275113	Mylar	C T 152	0283104	Trimmer capacitor
C209	0248726	Ceramic, discal	C T 153	0283104	Trimmer capacitor
C210	0252811	Electrolytic	C F 201	5160213	Ceramic filter
C211	0252811	Electrolytic	RESISTORS:		
C212	0248726	Ceramic, discal	R C 201	0186357	CR Pack
C213	0252613	Electrolytic	R T 201	0151807	Semi variable resistor
C214	0252621	Electrolytic	R T 251	0151807	Semi variable resistor
C217	0244175	Ceramic, discal	R T 301	0151808	Semi variable resistor
C251	0275115	Mylar	R V 501	5008101	Variable resistor
C252	0252322	Electrolytic	~504		
C253	0248647	Ceramic, discal	SEMI-CONDUCTOR:		
C254	0248704	Ceramic, discal	I C 151	5357503	IC
C255	0274113	Mylar	I C 201	5351033	IC
C256	0252322	Electrolytic	I C 301	5351073	IC
C257	0274113	Mylar	I C 501	5350231	IC
C258	0274113	Mylar	I C 502	5350231	IC
C259	0252613	Electrolytic	Q 101	0573510	Transistor
C260	0252613	Electrolytic	Q 102	0573510	Transistor
C261	0252811	Electrolytic	Q 103	0573487	Transistor
C262	0275114	Mylar	Q 201	0573487	Transistor
C301	0249521	Ceramic, discal	Q 202	5320064	Transistor
C302	0221371	Polystyrol	Q 251	5320064	Transistor
C303	0221371	Polystyrol	D 101	5330661	Diode
			D 102	5330131	Diode
			D 251	5330131	Diode
			D 252	5330131	Diode
			D 201	0575019	Diode
			D 202	0575019	Diode
			D 203	5330482	Diode
			D 253	5330312	Zener diode
			D 301	5330322	Zener diode
			D 302	5380041	Diode

SCHEMATIC DIAGRAM



Q101
2SC535
FM RF AMP

D102
IS2076
OVER LOAD

Q103
2SC460
FM OSC.

D101
IS2790
AFC

Q102
2SC535
FM CONV.

Q201
2SC460
FM IF AMP.

IC201
HA-1203
FM IF AMP

D201, D202
IN60P
FM DISC.

D203
AWO1-7
VOLT. STAB.

Q202
2SC458
AF AMP

D301
HZ-9
VOLT-STAB.

IC301
HA-1156
M.P.X.

D302
LED-GL-31AR
FM STEREO INDICATOR

IC151
TR-2004
AM RF AMP
AM CONV.
AM IF AMP

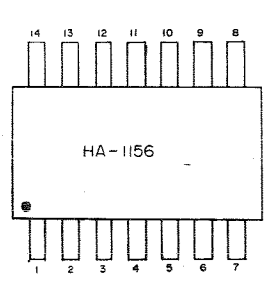
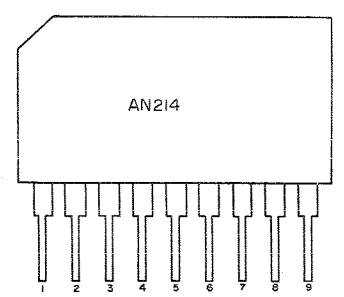
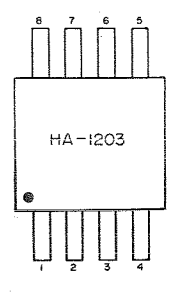
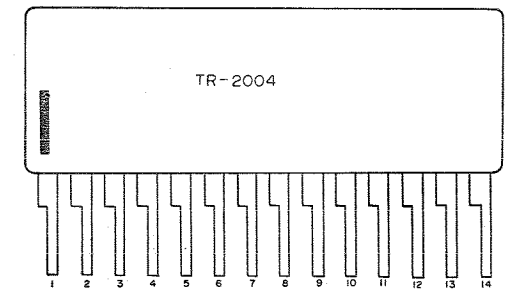
D251
IS2076
AGC

D252
IS2076
AM DET.

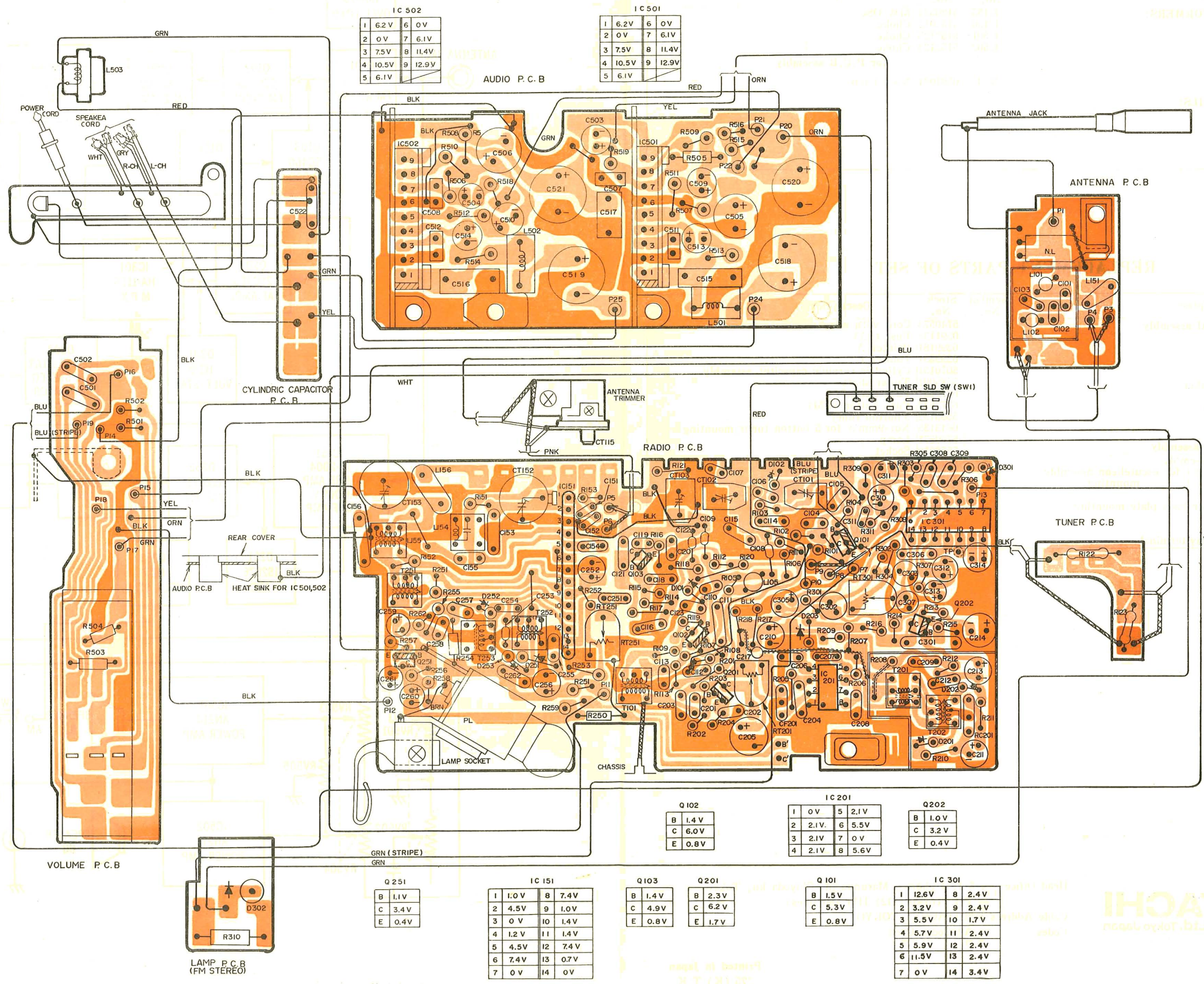
Q251
2SC458
AF AMP

D253
HZ-7
VOLT. STAB.

IC501,502
AN214
POWER AMP



CIRCUIT BOARD DIAGRAM



IC 502

1	6.2V	6	0V
2	0V	7	6.1V
3	7.5V	8	11.4V
4	10.5V	9	12.9V
5	6.1V		

IC 501

1	6.2V	6	0V
2	0V	7	6.1V
3	7.5V	8	11.4V
4	10.5V	9	12.9V
5	6.1V		

Q 102

B	1.4V
C	6.0V
E	0.8V

IC 201

1	0V	5	2.1V
2	2.1V	6	5.5V
3	2.1V	7	0V
4	2.1V	8	5.6V

Q 202

B	1.0V
C	3.2V
E	0.4V

Q 251

B	1.1V
C	3.4V
E	0.4V

IC 151

1	1.0V	8	7.4V
2	4.5V	9	1.0V
3	0V	10	1.4V
4	1.2V	11	1.4V
5	4.5V	12	7.4V
6	7.4V	13	0.7V
7	0V	14	0V

Q 103

B	1.4V
C	4.9V
E	0.8V

Q 201

B	2.3V
C	6.2V
E	1.7V

Q 101

B	1.5V
C	5.3V
E	0.8V

IC 301

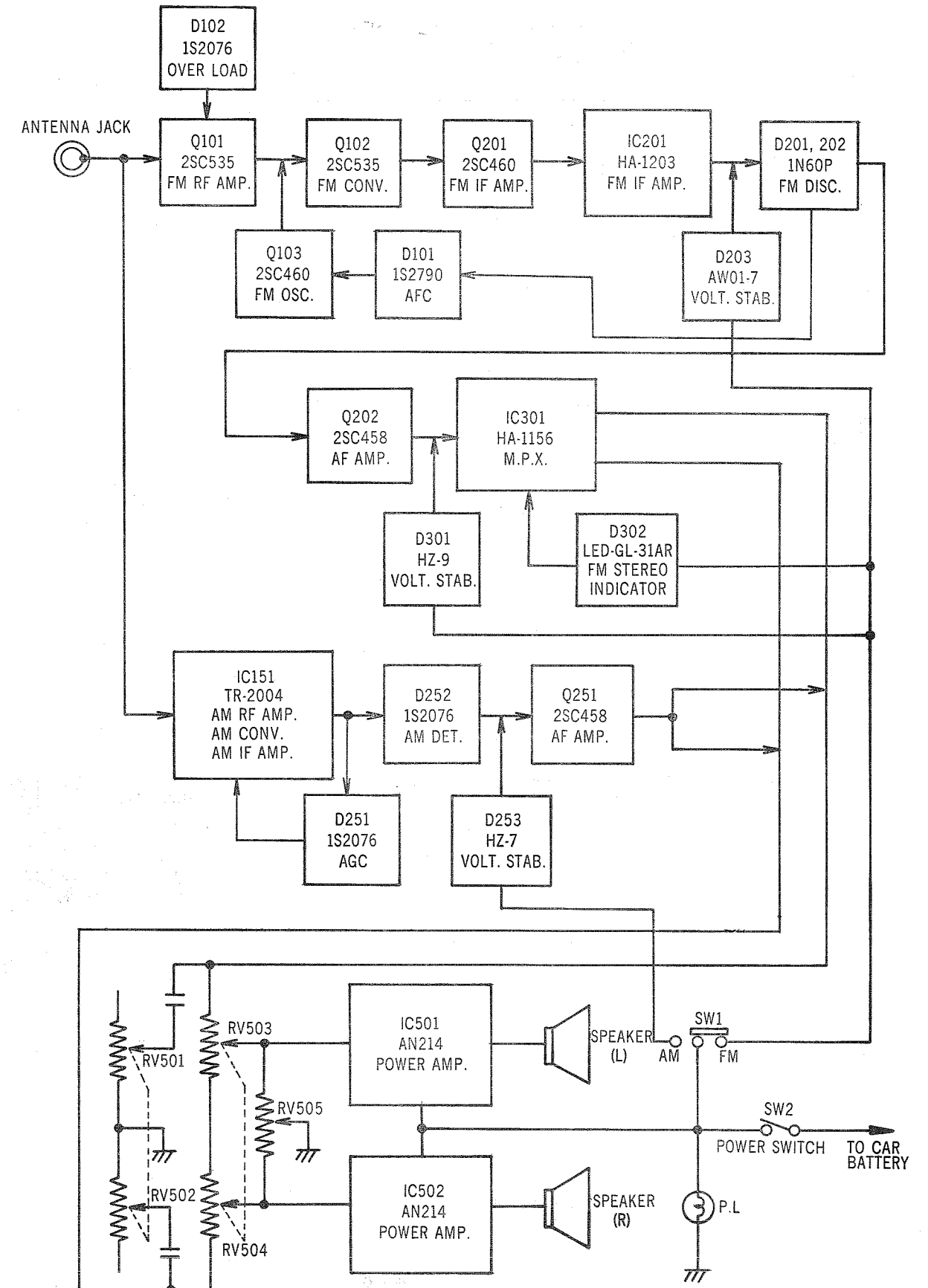
1	12.6V	8	2.4V
2	3.2V	9	2.4V
3	5.5V	10	1.7V
4	5.7V	11	2.4V
5	5.9V	12	2.4V
6	11.5V	13	2.4V
7	0V	14	3.4V

KMS-2343HC

Symbol No.	Stock No.	Description	Symbol No.	Stock No.	Description
TRANSFORMERS:					
T 101	5140017	FM-IFT	L 155	5120384	MW OSC
T 201	5148035	FM Discr	L 156	5152012	Choke
T 202	5148034	FM Discr	L 501	5152123	Choke
T 251	5130031	AM IFT	L 502	5152123	Choke
T 252	5130032	AM IFT	for P.C.B assembly		
T 253	5130032	AM IFT	N. L	0594094	Neon lamp
COILS:					
L 101	5150141	Trap			
L 102	5150141	Trap			
L 105	5150014	Trap			
L 151	5150271	Choke			
L 154	5120272	Trap			

REPLACEMENT PARTS OF SET

Symbol No.	Stock No.	Description	Symbol No.	Stock No.	Description
for Final assembly					
	6270352	Knob L	5740573		Cord with relay terminal
	6294101	Knob L	0591138		Fuse (2A)
	6272585	Knob S	6399181		Pointer A
	6272586	Knob S	6399331		Pointer B
	5741455	Cord for speaker	5070151		Cylindric ceramic capacitor assembly
	0643135	Nut-9mm ϕ	5585091		Tuner shaft
	0629187	Washer-9mm ϕ	6272631		Push button
	7401071	Bracket	6272632		Push button (FM)
	7401081	Bracket V	5583152		5 button tuner
			0643135		Nut-9mm ϕ for 5 button tuner mounting
			5760571		Lamp
			5658012		Socket
			6143192		Rear cover assembly
			5675031		Antenna jack
for Case assembly					
	6241402	Escuteheon assembly			
	7245624	Washer-9mm ϕ } for escuteheon assembly			
	0643135	Nut-9mm ϕ } mounting			
	6481091	Back plate			
	6714216	Nylon rivet for back plate mounting			
	6576091	Rubber plate			
	5742779	Power cord			
	5740221	Cord with relay terminal			
for Speaker assembly					
			6710842		Speaker box assembly
			5410651		Speaker
			5741291		Cord with relay terminal



Head Office : 5-1, 1-chome, Marunouchi, Chiyoda-ku, Tokyo
 : Tel. Tokyo (212) 1111 (80 lines)
 Cable Address : "HITACHY" TOKYO
 Codes : All Codes Used